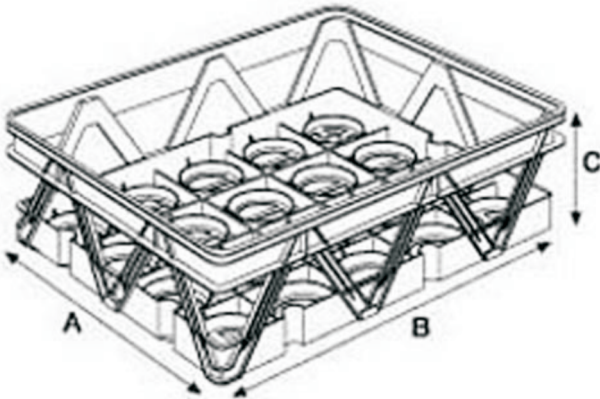




**MCG INDUSTRIES**

## CHARACTERISTICS TABLE

[www.mcginidustries.com](http://www.mcginidustries.com)



## YOGHURT CRATE

Dimensions (mm)	A	B	C
External	512	412	140
Internal	480	350	135
Material	HDPE		
Mass	0.905 kg		
Contents	20 x 500ml yoghurt cups		
Nesting Height	40		