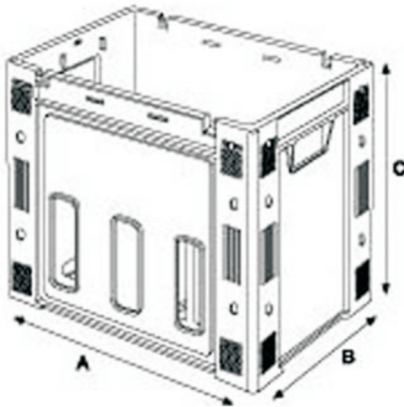




**MCG INDUSTRIES**

## CHARACTERISTICS TABLE

[www.mcgindustries.com](http://www.mcgindustries.com)



## 6 x 2 LITRE WINE FLAGON CRATE

Dimensions (mm)	A	B	C
External	439	301	360
Internal	410	272	349
Material	HDPE		
Mass	2.280 kg		
Contents	6 x 2 L flagons		
Stacking Height	349		