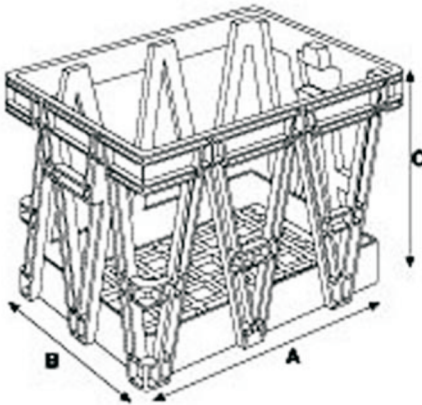




## CHARACTERISTICS TABLE

**MCG INDUSTRIES**

[www.mcgindustries.com](http://www.mcgindustries.com)



### 4 x 5 LITRE WINE CRATE

Dimensions (mm)	A	B	C
External	447	333	300
Internal	384	270	275
Material	HDPE		
Mass	1.525 kg		
Stacking Height	290		
Nesting Height	126		