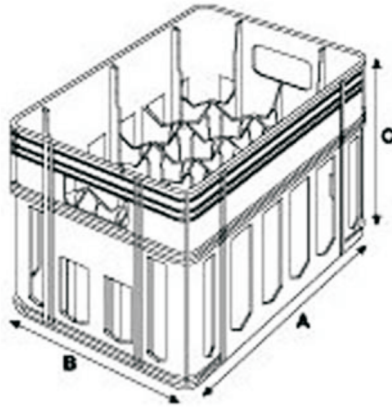




**MCG INDUSTRIES**

## CHARACTERISTICS TABLE

[www.mcgindustries.com](http://www.mcgindustries.com)



### 24 x 300 ML / 350ML CRATE

Dimensions (mm)	A	B	C
External	402	270	248
Internal	395	263	239
Material	HDPE		
Mass	1.140 kg		
Contents	24x300ml glass bottles		
Stacking Height	241		
Pocket Size	66		