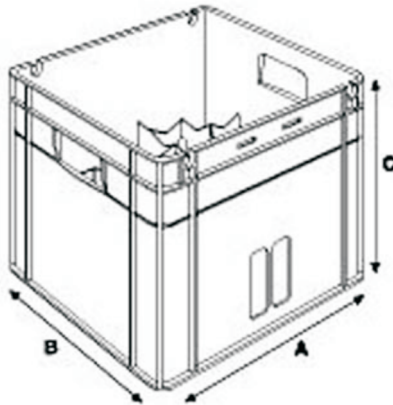




MCG INDUSTRIES

CHARACTERISTICS TABLE

www.mcgindustries.com



20 x 750ML WINE BOTTLE CRATE

Dimensions (mm)	A	B	C
External	440	416	350
Internal	416	392	338
Material	HDPE		
Mass	3.240 kg		
Contents	20 x 750 ml bottles		
Stacking Height	340		