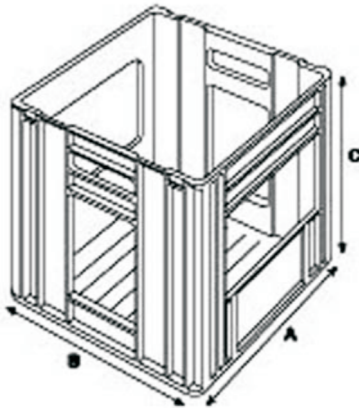




CHARACTERISTICS TABLE

MCG INDUSTRIES

www.mcgindustries.com



4 x 5 LITRE WINE PACK

Dimensions (mm)	A	B	C
External	366	350	342
Internal	332	332	317
Material	HDPE		
Mass	1.525 kg		
Contents	4 x 5 L wine packs		
Stacking Height	333		
Nesting Height	126		